

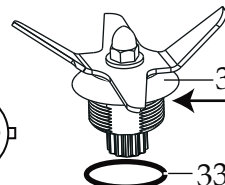
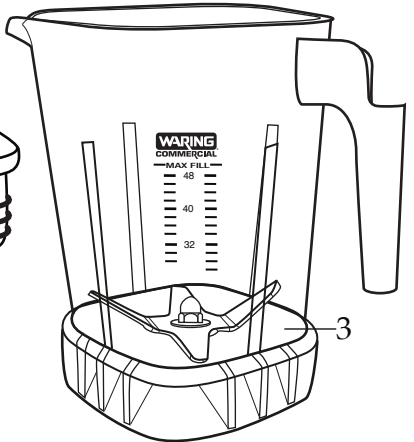
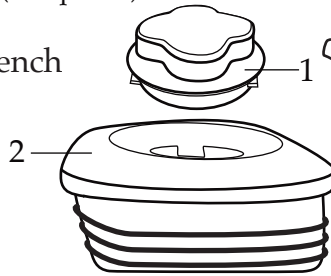
WARING COMMERCIAL

Europe Xtreme Blender with
4 Reprogrammable Beverage Stations
and a 48 oz. Stackable Raptor Container

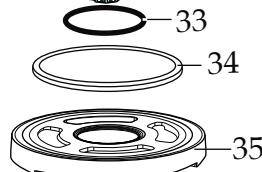
MX1300XTPEE MX1500XTPSEE with Sound Enclosure

036743
Brush/Spring
(2 required)

503351
MX Coupling Wrench
(optional)



Sealant all round
threads, fill in flats.



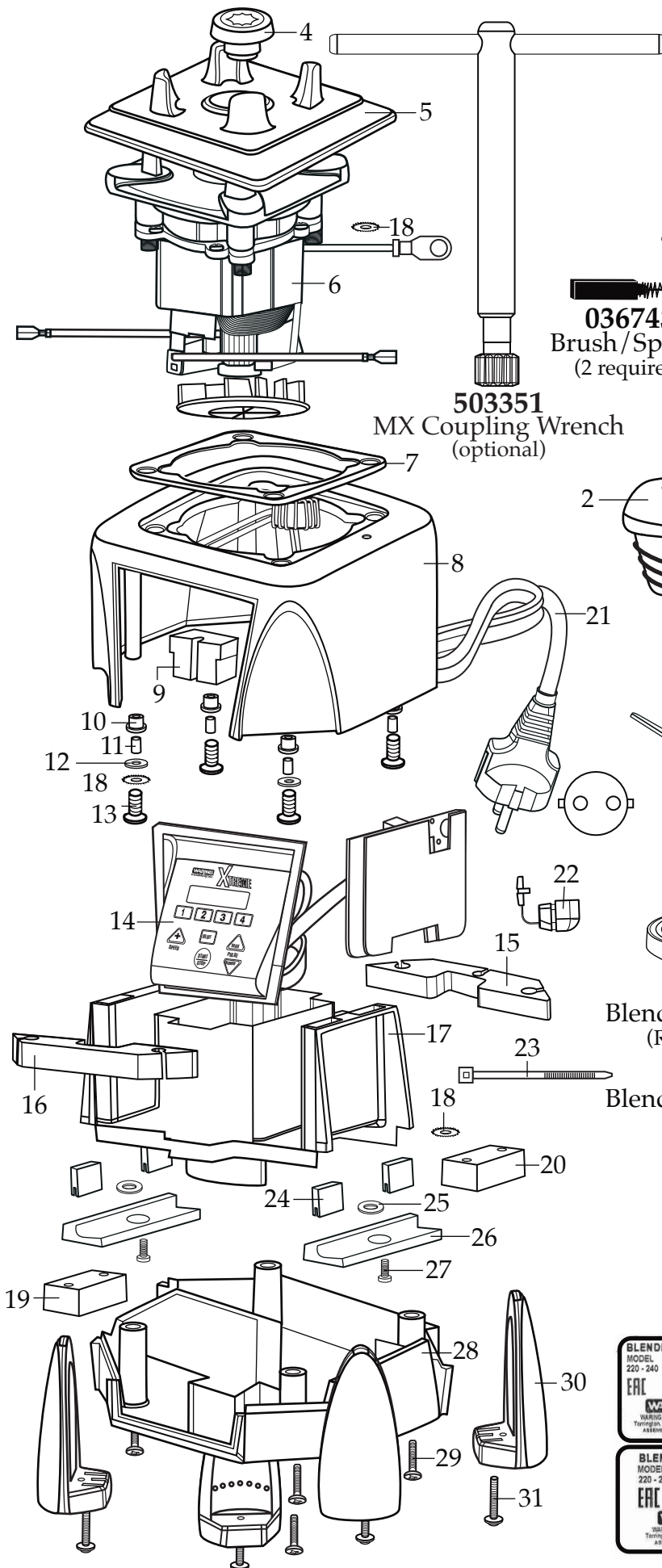
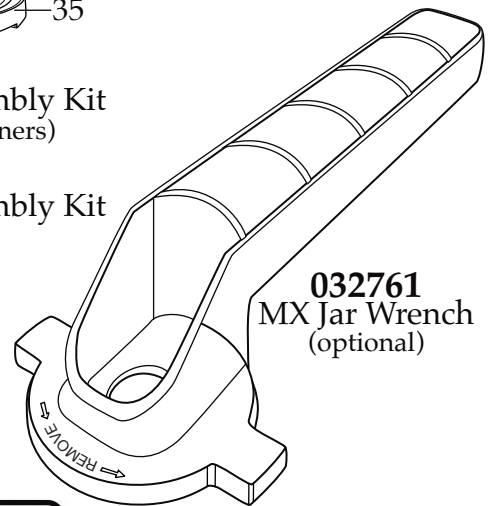
Notes

Torque 100-125 in/lbs
Sealant all around the threads, fill in flats.
Dow Corning Sealant RTV 733

030889
Blending Assembly Kit
(Raptor containers)

031060
Blending Assembly Kit

032761
MX Jar Wrench
(optional)



Date Code Location
YY|MM DD
year year | month month | day day

Catalog**Model**

MX1300XTPEE
MX1500XTPSEE

MX1300XT21CE
MX1500XT22CE

MX1500XT22SEE

(on units after 11/12/2007)



Illustration#	Part#	Description
1	028769-E 026425-E	Jar Lid Cover (on units after 7/28/2009) Jar Lid Cover
2	028768 026424-V	Jar Lid (on units after 8/4/2008) Jar Lid
3	503439 030888	Jar with Blending Assembly (48 oz. stackable Raptor 140401 date code) 48 oz. Stackable Raptor Container ONLY (140401 date code)
4	503601 503604 028538	Sq. Drive Coupling with Adapter (on units after 3/29/2022) Sq. Drive Coupling with Adapter 2 Gen. (changed after 1/7/2021 use 503601) Drive Coupling
5	026442	Jar Pad
6	035399 028824	Leili Motor with Sensor (on units after 8/21/2017) ECM Motor with Sensor (obsolete)
7	038278 026437	Dampening Plate Gasket (on units after 8/25/2022) Dampening Plate Gasket
8	503382-E-67 503382-E	MX Housings, Ferrite Core & Cord (on units after 8/21/2017) MX Housings, Ferrite Core & Cord (on units after 9/12/2012)
9	028541	Motor Foam (2 required)
10	026439	Dampening Plate Bushing (4 required)
11	038486 026453	Dampening Plate Sleeve (4 required on units after 8/25/2022) Dampening Plate Sleeve (4 required)
12	026459	Washer (2 required)
13	028929 026459 026455	Sems (4 required on units after 8/15/2007) Washer (4 required) Screw (4 required)
14	035710 029816	Control Panel with Interlock (changed after 3/26/2018) comes with switches-key board-main board-filter board Soft Start Control Panel (use 035710)
15	028248	Top Housing Foam Rear Baffle
16	028249	Top Housing Foam Front Baffle
17		Motor Housing is Included with Illustration# 8
18	002943	Washer (3 required)
19	028247	Bottom Housing Foam Baffle
20	028542	Foam Baffle
21		Cord is Included with Illustration# 8
22	007556 035384	Strain Relief (on units after 6/22/2018) Strain Relief
23	013731	Cable Tie (3 required on units after 10/22/2008) – (2 required)
24	034900	PCB Cushions (4 required on units after 7/18/2019)
25	037232	Flat Neoprene Washer (2 required on units after 7/18/2019)
26	037007	PCB Mounting (2 required on units after 7/18/2019)
27	013768	Screw (2 required on units after 7/18/2019)

Catalog

MX1300XTPEE
MX1500XTPSEE

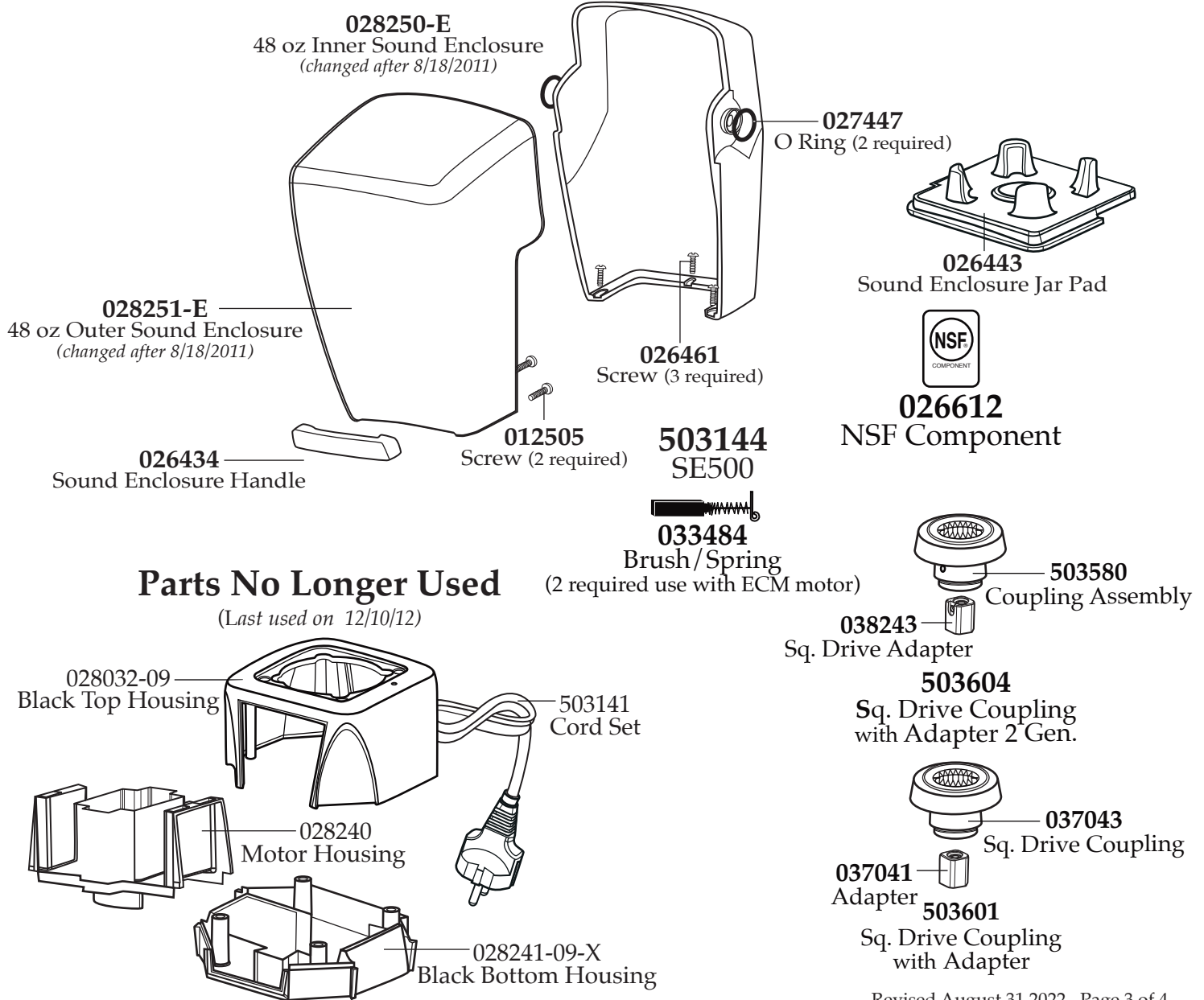
Model

MX1300XT21CE
MX1500XT22CE MX1500XT22SEE
(on units after 11/12/2007)

Waring Factory Service Center
314 Ella T. Grasso Ave.
Torrington, CT 06790
Tele. 1-800-269-6640

COMMERCIAL
Fax 860-496-9017
www.waringcommercialproducts.com

Illustration#	Part#	Description
28		Bottom Housing is Included with Illustration# 8
29	012505	Screw (4 required)
30	026430	Corner Post (4 required)
31	028928	Sems (4 required <i>on units after 8/15/2007</i>)
	026459	Washer (4 required)
	012505	Screw (4 required)
32	503397	Blade Assembly (Raptor containers)
	503345	Blade Assembly
33	024271	O Ring
34	024268	Nut Gasket
35	029631	Bearing Holder Nut



Parts No Longer Used
(Last used on 12/10/12)

Catalog

MX1300XTPEE MX1300XT21CE
 MX1500XTPSEE MX1500XT22CE MX1500XT22SEE
(on units after 11/12/2007)

Waring Factory Service Center
 314 Ella T. Grasso Ave.
 Torrington, CT 06790
 Tele. 1-800-269-6640

COMMERCIAL
 Fax 860-496-9017
 www.waringcommercialproducts.com

